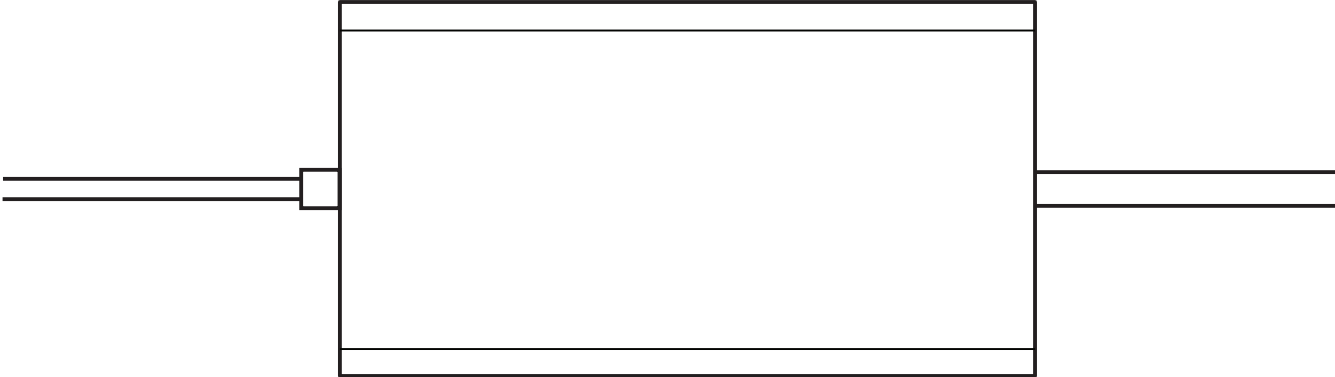
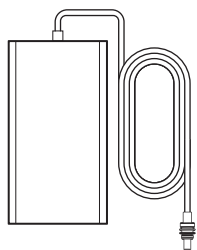


STARLINK | DC-DC POWER SUPPLY SPECIFICATIONS

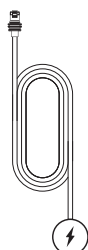


What's In The Box



Power Supply

1.5 m
(4.92 ft)



DC Power Cable

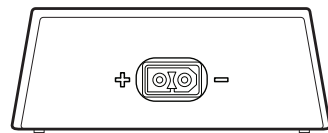
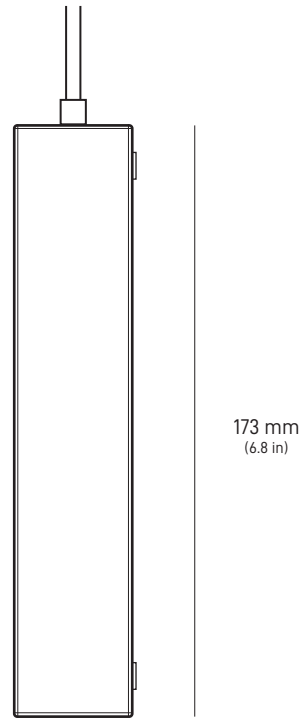
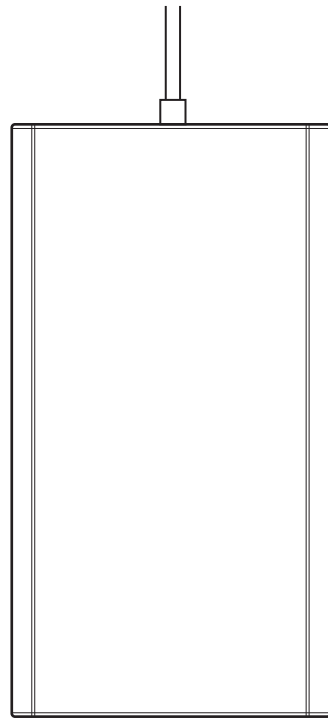
1 m
(3.28 ft)

Package Weight:

0.99 kg (2.18 lbs)

Package Dimensions:

254 X 166 X 87mm (10 in x 6.5 in x 3.4 in)

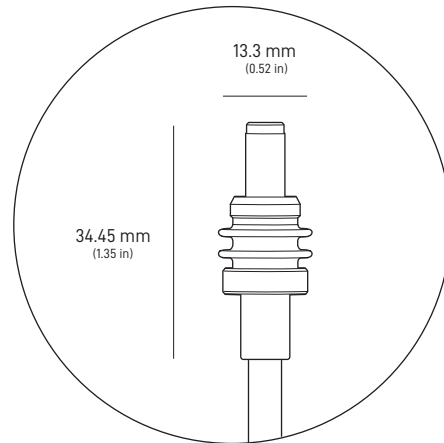


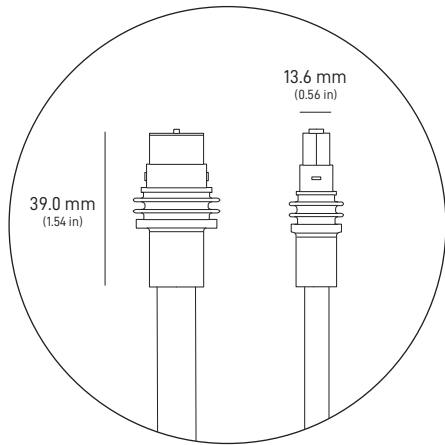
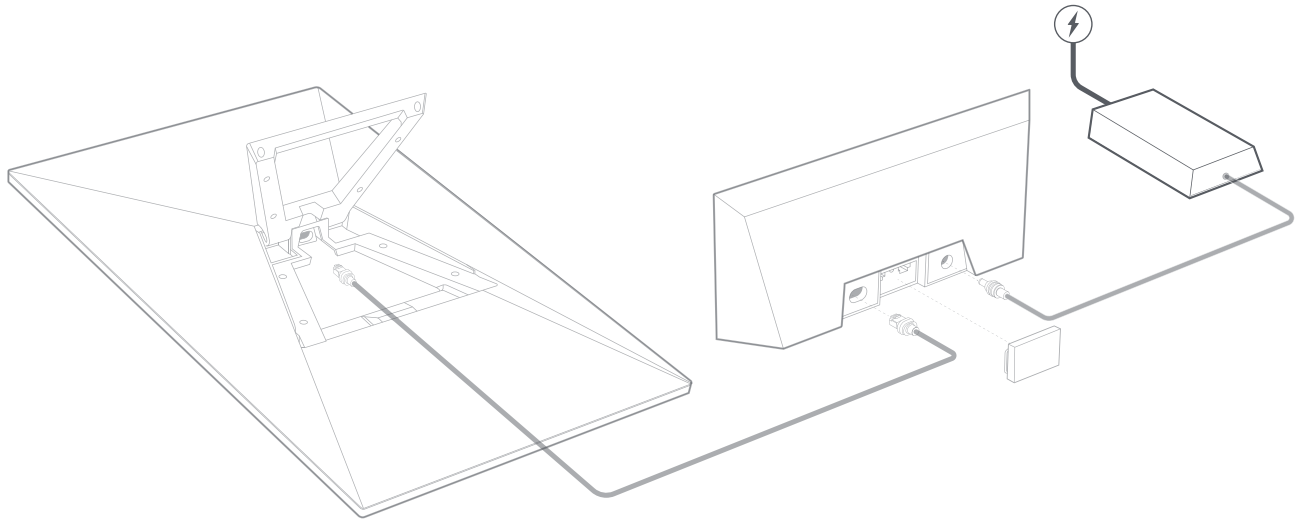
35.75 mm
(1.4 in)

93 mm
(3.66 in)



Product Dimensions	173 x 93 x 35.75 mm (6.8 in x 3.66 in x 1.4 in)
Weight	0.63 kg (1.38 lbs)
Environmental Rating	IP66 Type 4
Operating Temperature	-40C-60C (-40F-140F)
Power Specifications	Input 12-48VDC 30A Output 56V 3.57A





Pin 1
Positive
Negative

Wire Color
Red
Black

Pin 2
Positive
Negative

