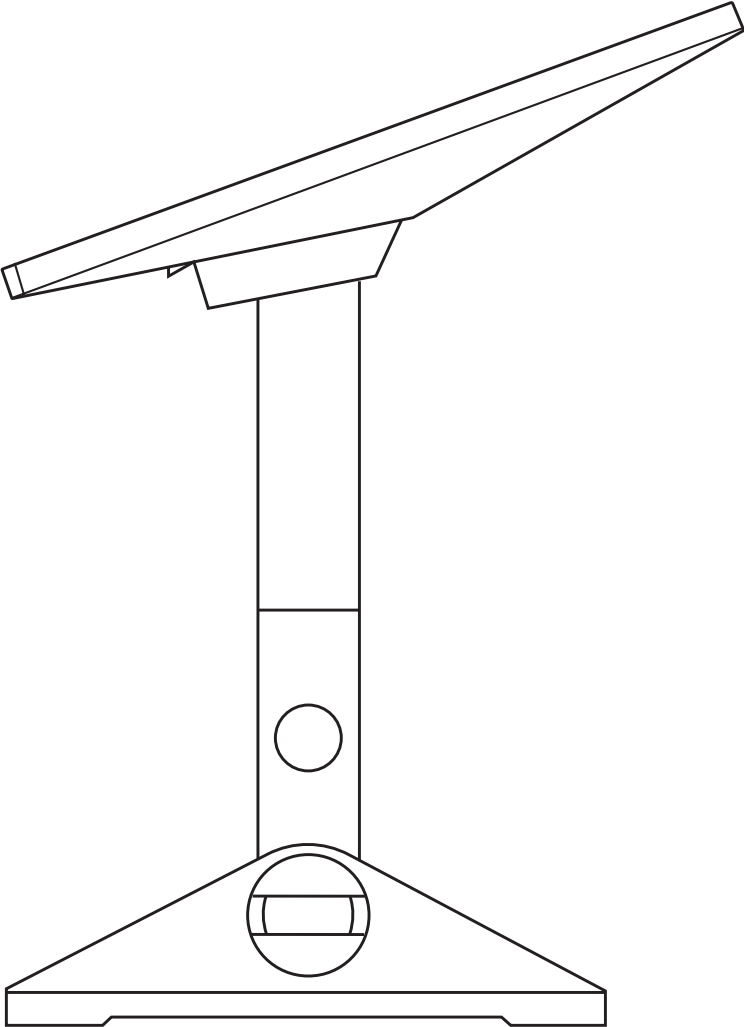
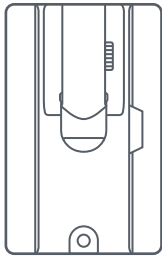


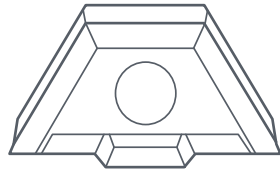
STARLINK | MINI PIVOT MOUNT INSTALL GUIDE



What's in the Box



Pivot Mount



Mast Adapter



Mast



Sealant Tape Strips



Sealant Tape Squares

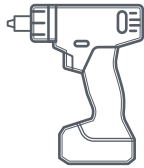


Lag Screws  
2x  
3/8 in x 3.5 in



Cable Routing Clips  
20x

Recommended Tools



Drill / Impact Driver



Drill Bit  
6 mm (1/4 in)



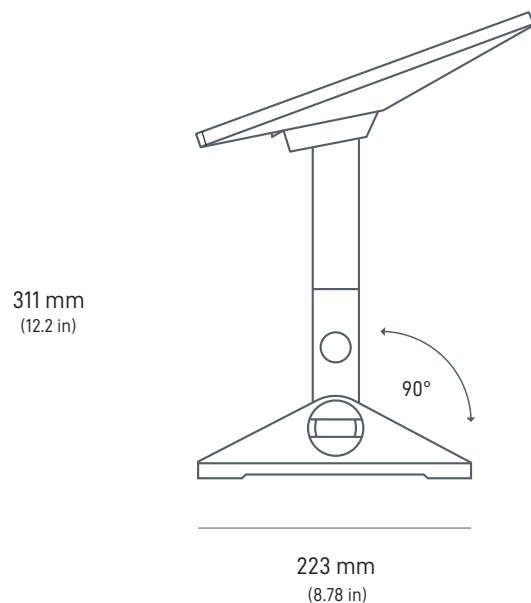
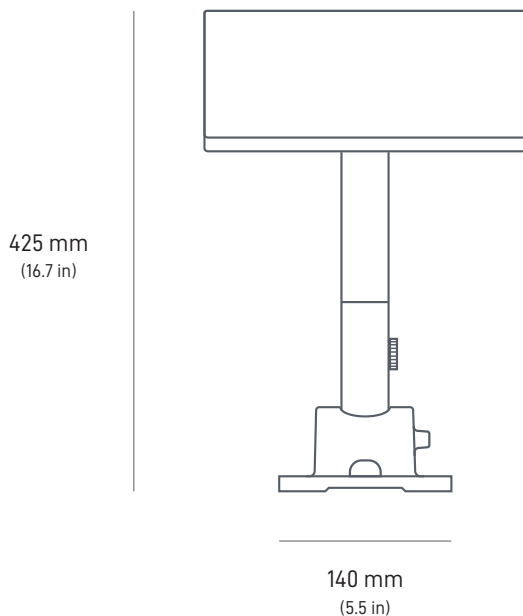
Hex Socket  
9/16 in



Marker

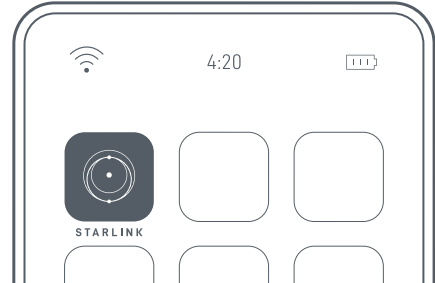
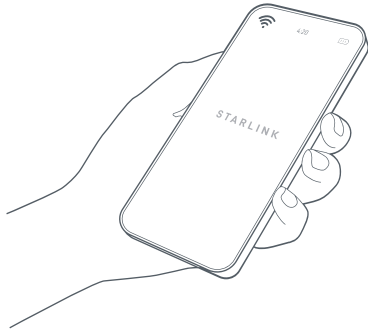


Level



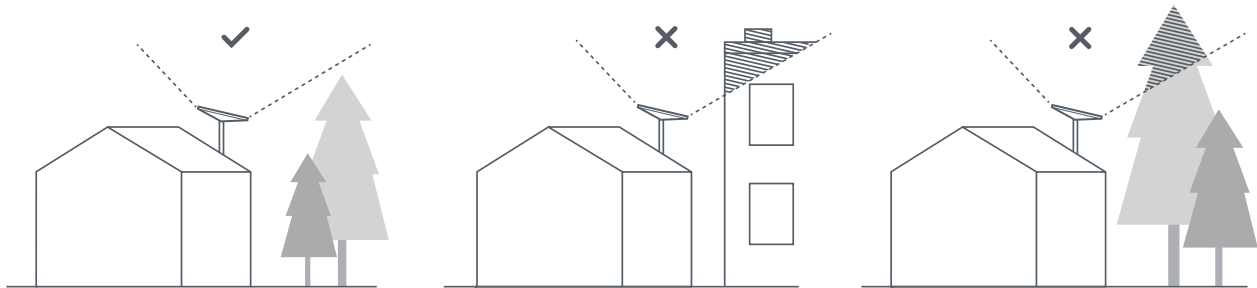
### 1 | Download the Starlink App

Scan the QR code to download the Starlink App.



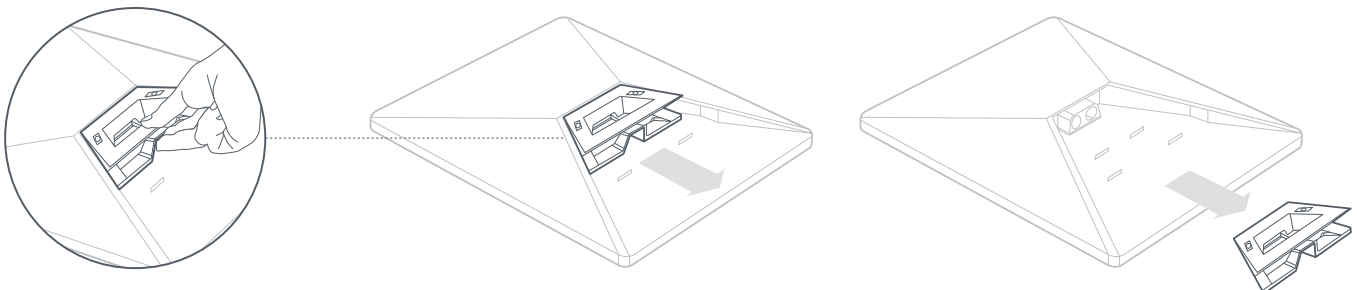
### 2 | Find Mounting Location

Your Starlink needs a clear view of the sky so it can stay connected with satellites as they move overhead. Objects that obstruct the connection between your Starlink and the satellite, such as a tree branch, pole, or roof, will cause service interruptions. Use the obstruction tool in the App to ensure you have selected a suitable mounting location.



### 3 | Remove Kickstand

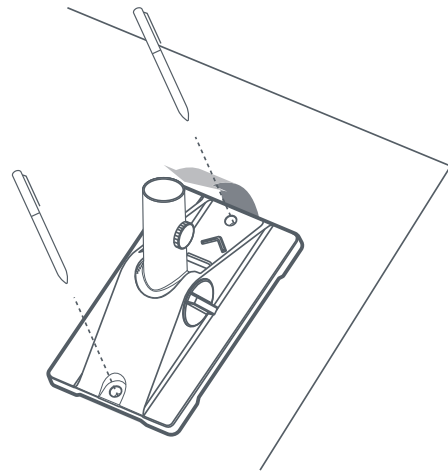
Squeeze the release tab and pull it away from its fixed location.



**4 | Mark the Pilot Holes**

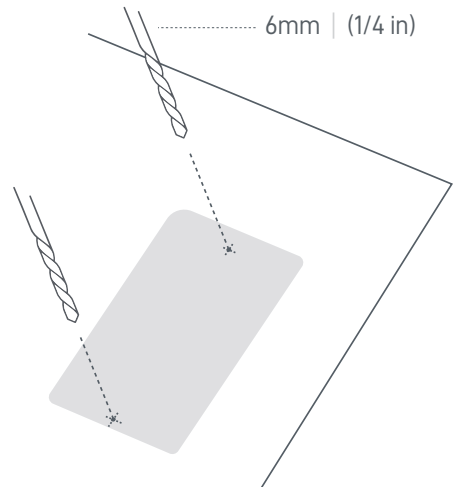
Mark the location of the two holes on your pivot mount using a marker.

Place the holes directly over a structural beam to best secure your Starlink.



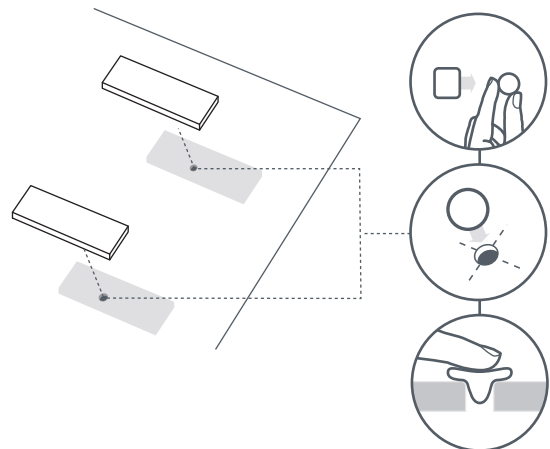
**5 | Drill the Pilot Holes**

Drill the holes with a 6 mm (1/4 in) drill bit.



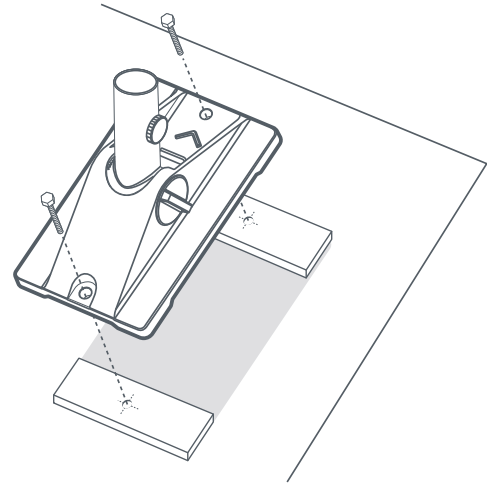
**6 | Apply Sealant and Screw in Wall Mount**

Ball up the squares and push them into the holes, then apply the sealant tape over the holes.



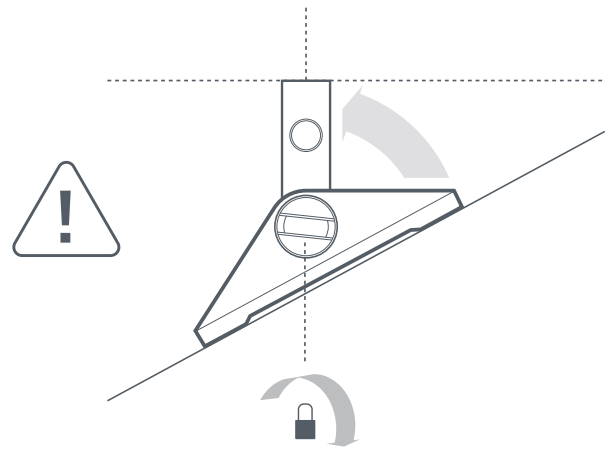
### 7 | Screw in Mount Base

Screw in the mount using the provided screws.  
The arrow on the mount should point up the slope of your roof.



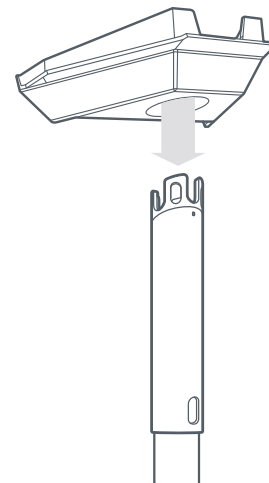
### 8 | Align Mast Vertically

Tighten the bottom locking mechanism when mast is vertical.



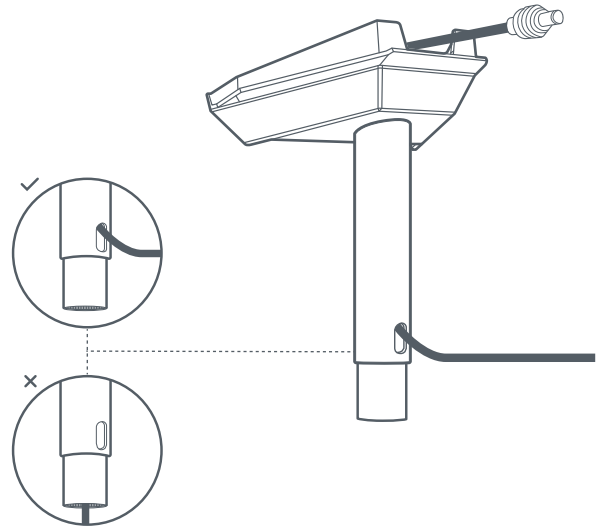
### 9 | Insert Mast Base

Insert the mast tube into the base until it clicks into place.



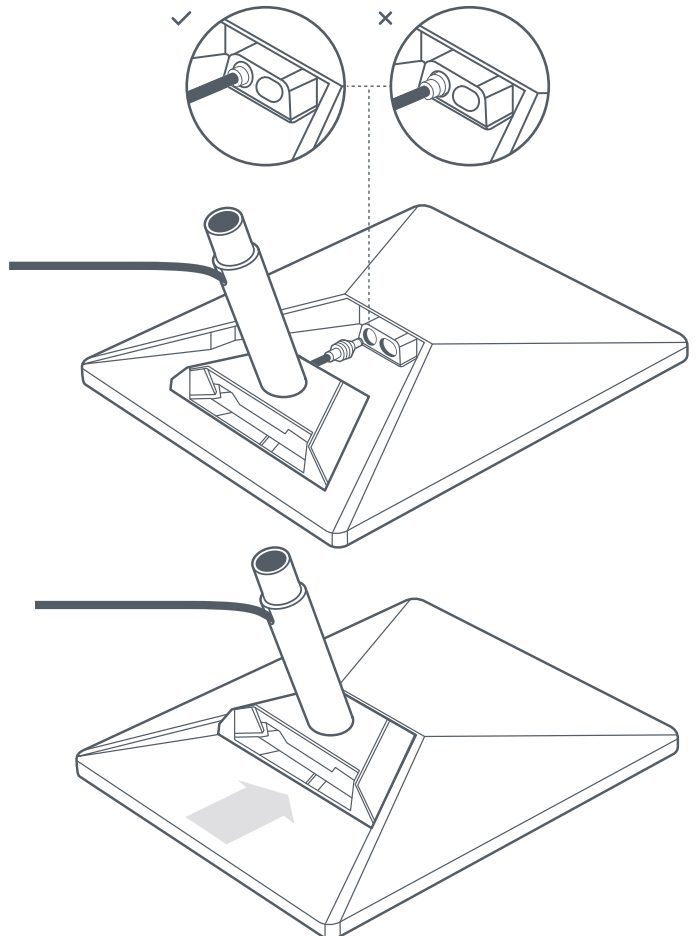
**10 | Route Cable Through Mast**

Insert the DC Power Cable through the hole in the side of the mast and up through the slot in the adapter.



**11 | Plug-In Cable and Install Mast**

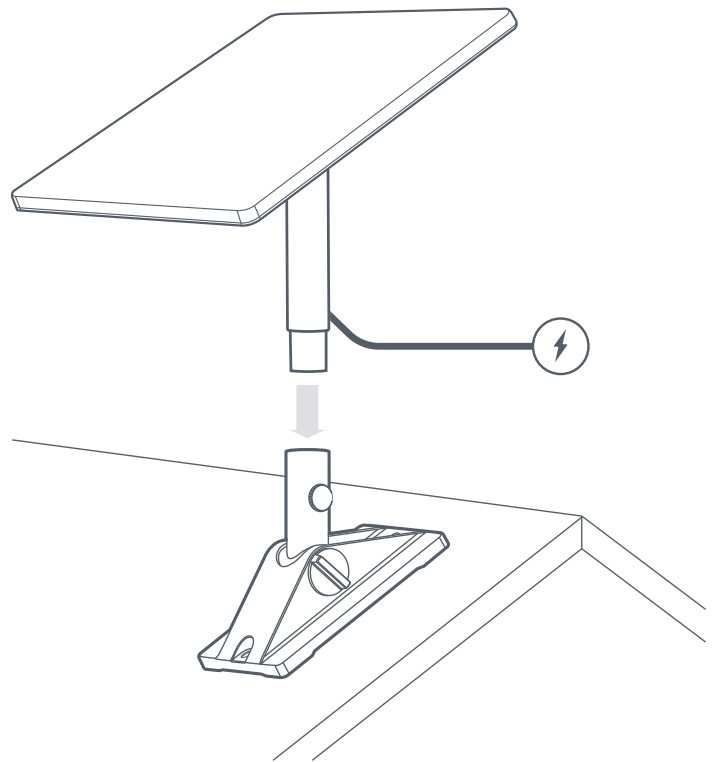
Plug the cable into your Starlink. Ensure the plug is fully inserted such that the plug face is flush with the surface. Next, slide the mast in until it clicks into place.



### 12 | Insert Starlink into Pivot Mount

Slide the mast into the pivot base. Rotate your Starlink to face a clear view of the sky.

Connect the DC Power Cable to the power supply and connect to power.



### 13 | Align and Lock Your Starlink

An alert on the App will show if you need to rotate Starlink to be properly aligned.

Click the alert to use the alignment tool. Once aligned, tighten the thumb-screw on the mast to prevent rotation.

